

**PRESSURE GAUGES WITH BOUDON TUBE
WITH GLYCERINE FILLING
STAINLESS STEEL CASE**



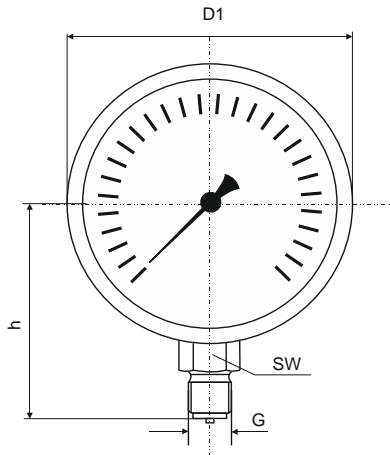
Diameter 63
**Conection position radial bottom
or central back**

For measuring points with high dynamic pressure loads and vibrations. The lubricating effect of the glycerine has a favorable effect against increased wear out. The glycerine pressure gauges are suitable for gaseous and liquid media that do not attack copper alloys. They are equipped with a pressure - equalizing diaphragm.

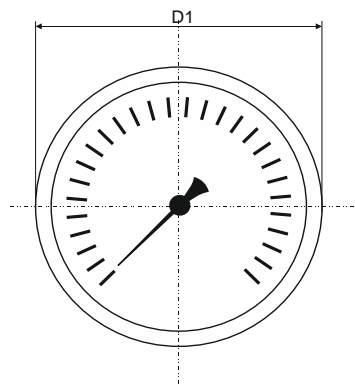
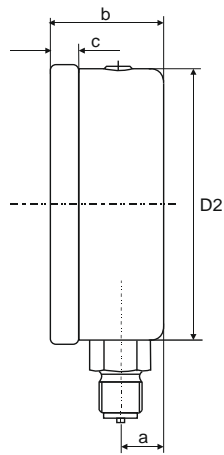


Type	4531	4541	Options
Diameter	63		
Symbol			
Accuracy class	1,6 acc. to DIN EN 837-1		1,0
Ranges	0...1 bis 0...1000 bar acc. to DIN EN 837-1 negative and/or positive overload pressure		
Application	Constant load: 3/4 x end of scale value Alternating load: 2/3 x end of scale load Overload proof: up to full scale		
Case	Stainless steel, 1.4301		
Ring	Stainless steel, 1.4301, bright		Front flange Triangular front ring
Window	Plexiglass		Safety glass or flat instrument glass
Dial	Al white, scale and printing black		Dual scale
Pointer	Al black		Max. indicator, marker pointer
Movement	CuZn-alloy		
Measuring element	Cu-alloy up to 40 bar, above 400 bar stainless steel		
Pressure connection	CuZn-alloy		
Connection position	radial bottom	centric back	
Thread	G 1/4 B		others on request
Temperatures	Medium: -20°C up to 80°C, ambient: -25°C up to 60°C		Special solder up to 130°C
Orifice			Ø 0,3, Ø 0,4, Ø 0,8
Protection	IP65		
Approx. Weight	0,21 kg	0,26 kg	

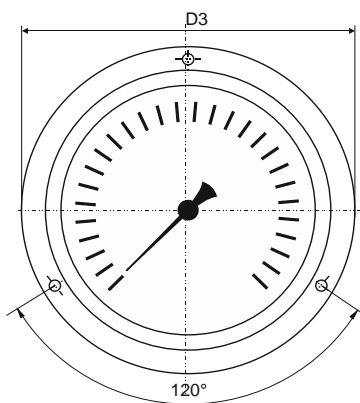
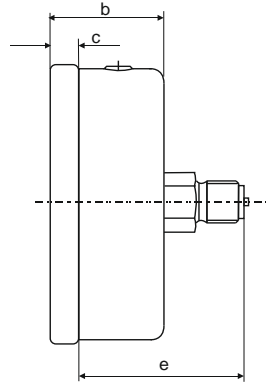
Type	Dimensions in mm									
	ND	a	b	c	D1	D2	D3	e	h	SW
4531	63	13	32	5	68	-		-	54,2	14
4541	63	-	32	5	68	-		52	-	14
4541	63						75			14



Type 4531



Type 4541



Type 4541 - with front flange

