

HEAVY DUTY CONTACT PRESSURE GAUGES WITH BOURDON TUBE AND MAGNETIC- SNAP ACTION CONTACTS OR INDUCTIVE ALARM CONTACTS acc. to EN 837-1



Diameter 160
Connection position radial bottom
or eccentric back
with or without damping

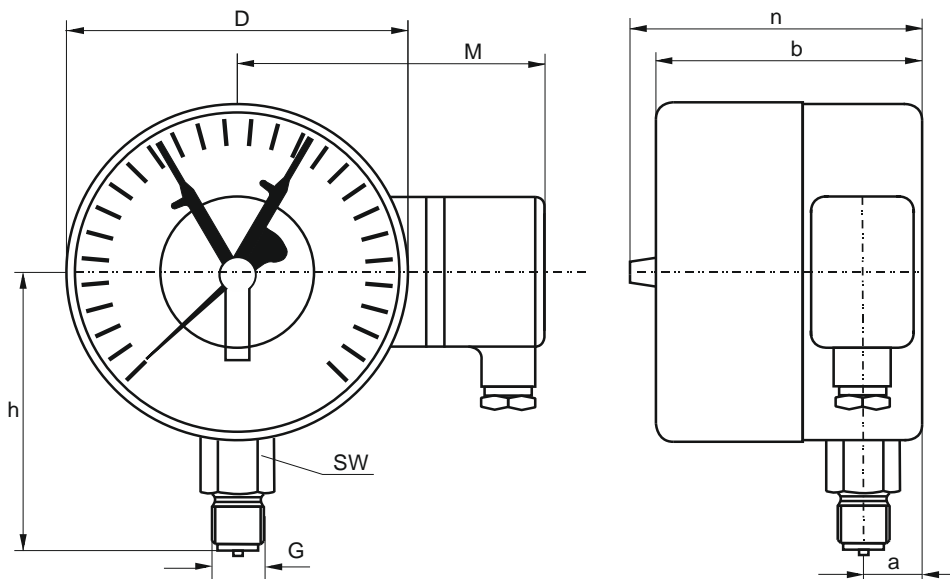


Contact pressure gauges with electrical alarm contacts are suitable for controlling or regulating process sequences. The contacts open or close electrical circuits in relation to the position of the pointer on the pressure gauge. They can be used in all applications where liquid or gaseous media are not highly viscous and do not attack copper alloys or crystallize.

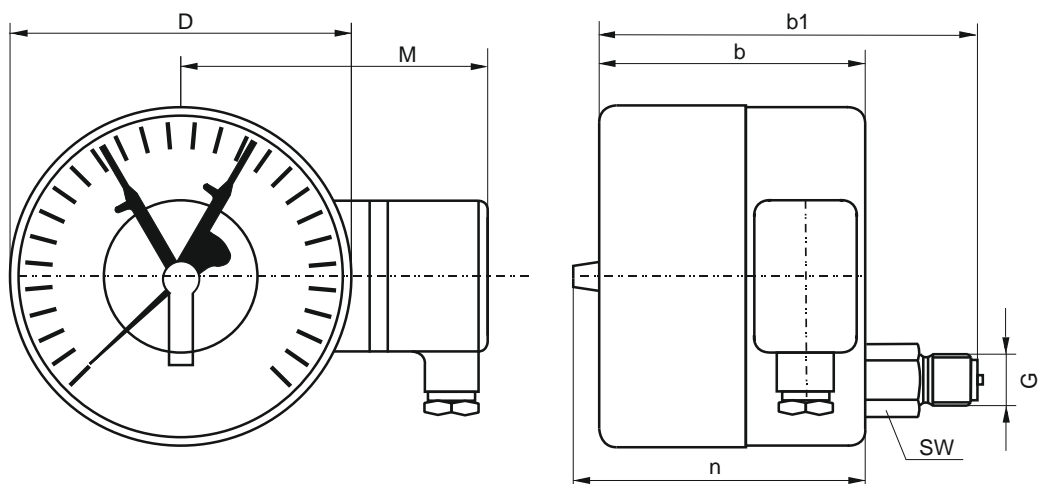
Type	6211	8111	6411	8211	Options
Diameter	160				
Symbol					
Liquid filling		Silicone oil		Silicone oil	Esteroil (silicone free)
Numbers of contacts	from 1 bar each 2 magnetic-snap action or inductive alarm contacts 1,6 bar 2 magnetic-snap action or 3 inductive alarm contacts from 4 bar 4 magnetic-snap action or 3 inductive alarm contacts				
Cable connection	PG 13,5, right side				
Accuracy class	<= 1,6 bar: cl. 1,6; > 1,6 bar: cl. 1,0 acc. to EN 837-1				
Ranges	0...1 up to 0...1000 bar negative or positive / negative and positive overpressure				
Applications	Constant load: up to the end of scale value Alternating load: up to 0,9fold full scale value Short time: 1,3fold overload capacity				
Case / ring	Stainless steel				
Window	Plastic, Polycarbonat				
Dial	Al white, scale and printing black				
Pointer	Al black				
Movement	CuZn-alloy				
Measuring element	Cu-alloy up to 40 bar, > 40 bar stainless steel, 1.4571				
Pressure connection	CuZn-alloy				
Connection position	radial bottom		eccentric back		
Thread	G 1/2 B				others on request
Temperatures	Medium: -20°C up to 80°C, ambient: -25°C up to 60°C				
Temperature drift	0,3%/10K deviation of normal temperature 20°C				
Protection	IP 54	IP 65	IP 54	IP 65	
Orifice	Ø 0,4; Ø 0,8				
Approx. weight	1,8 kg	3,3 kg	1,7 kg	3,2 kg	

Electrical details see special page, chapter 8!

Type	Dimensions in mm									
	ND	a	b	b1	D	G	h	M	n	SW
6211/8111	160	15	97	-	160	G 1/2 B	118	118	107	22
6411/8211	160	-	97	132	160	G 1/ B	-	118	107	22



Type 6211/8111



Type 6411/8211